

Stephan

Food Processing Technology



Vertical Cutter Mixer VCM 44[®]

Powerful

Universal

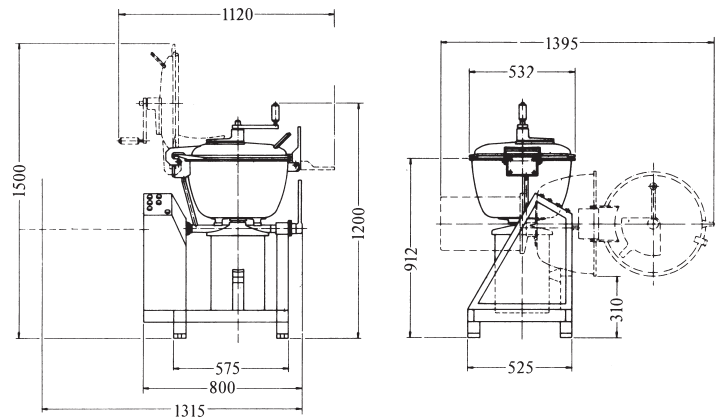
State-of-the-art



STEPHAN Vertical Cutter Mixer VCM 44

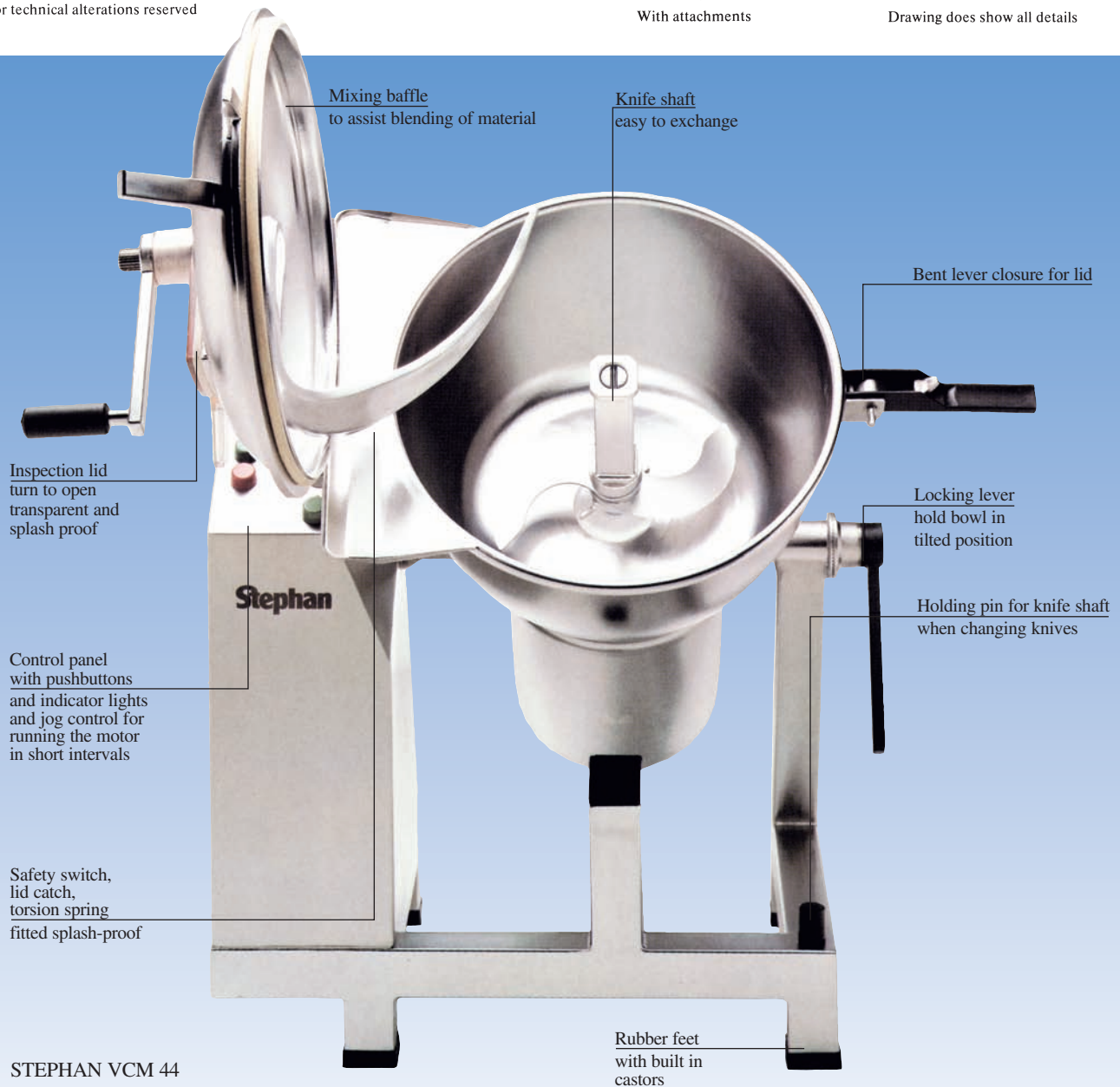
Technical data		VCM 44
Bowl capacity	l	45
Motor power 50 Hz	kW	4/5,5
Motor power 60 Hz	kW	5,5/7,5
Motor speed at 50 Hz	min ⁻¹	1500/3000
Motor speed at 60 Hz	min ⁻¹	1750/3500
Fuse rating at 380 V	A	35
Fuse rating at 220 V	A	50
Dimensions	mm	1000 x 1500
Dimensions w. sep. drive	mm	1500 x 1500
Total weight	kg	152
Total weight w. sep. drive	kg	200
Motor with 3 speeds		
Motor power 50 Hz	kW	2,2/4,0/5,5
Motor speed at 50 Hz	min ⁻¹	750/1500/3000
Fuse rating at 380 V	A	25

Minor technical alterations reserved



With attachments

Drawing does show all details



STEPHAN VCM 44